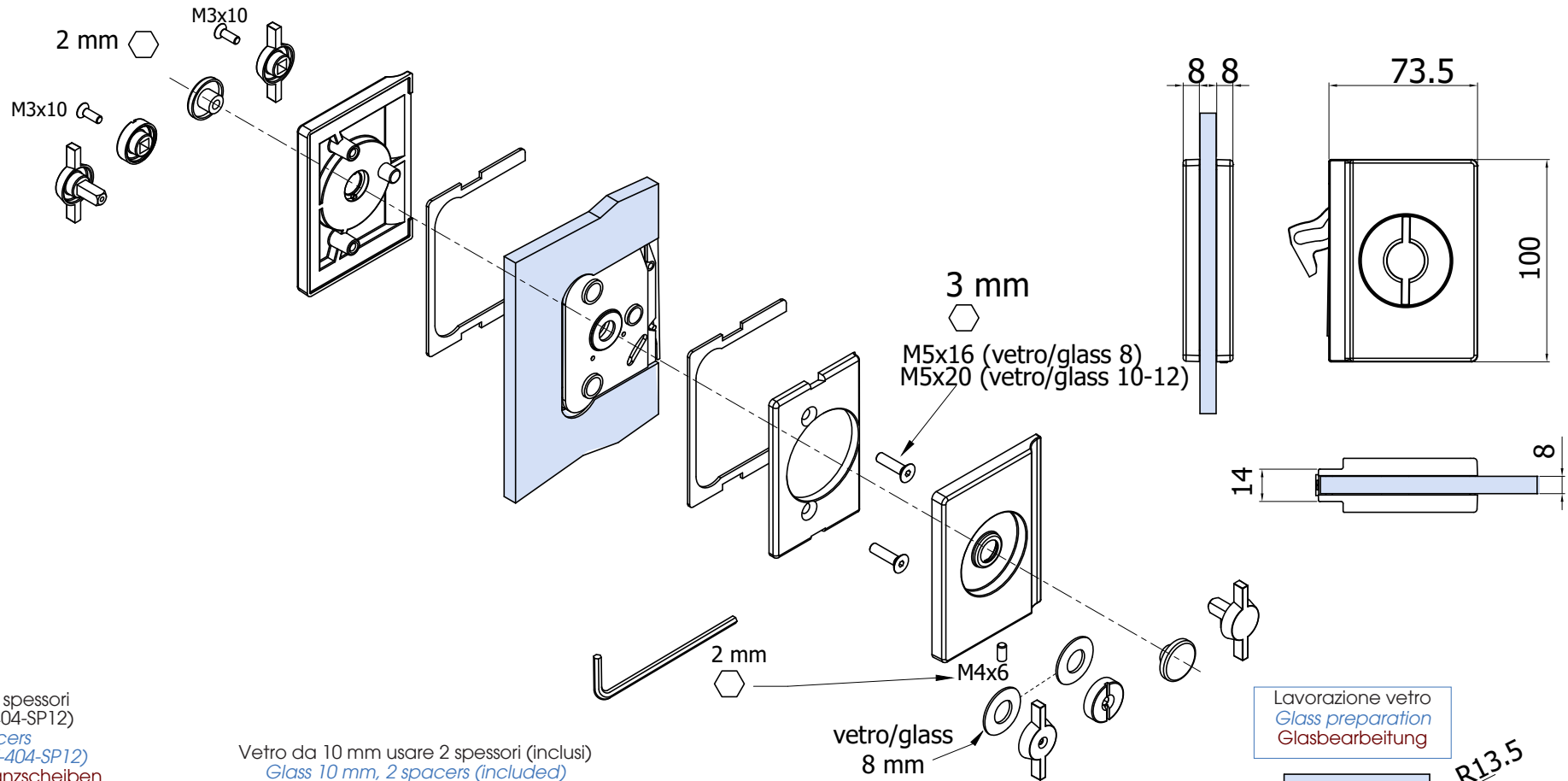
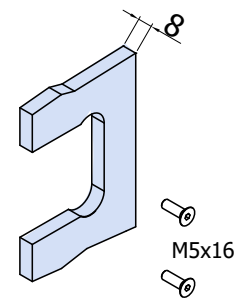
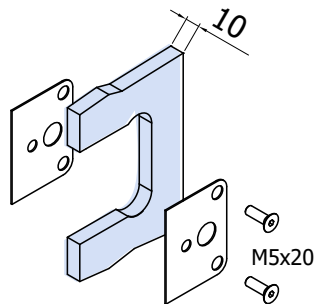
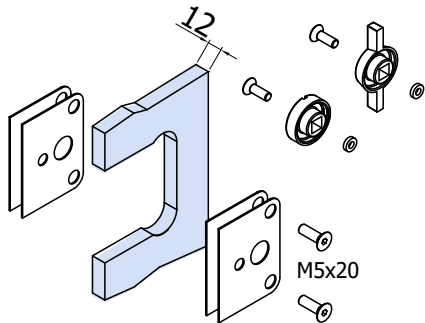


V-404

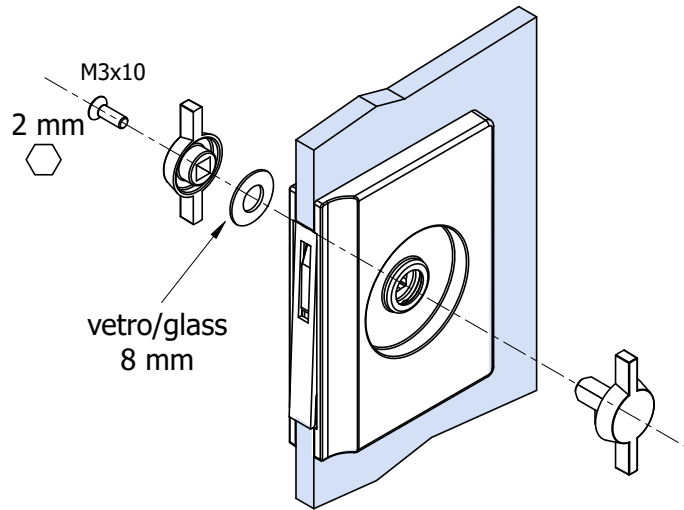


Vetro da 12 mm usare 4 spessori
(2 inclusi + 2 optional V-404-SP12)
Glass 12 mm, 4 spacers
(2 included + 2 optional V-404-SP12)
Glasdicke 12 mm mit 4 Distanzscheiben
(2 inkl. + 2 optional V-404-SP12)

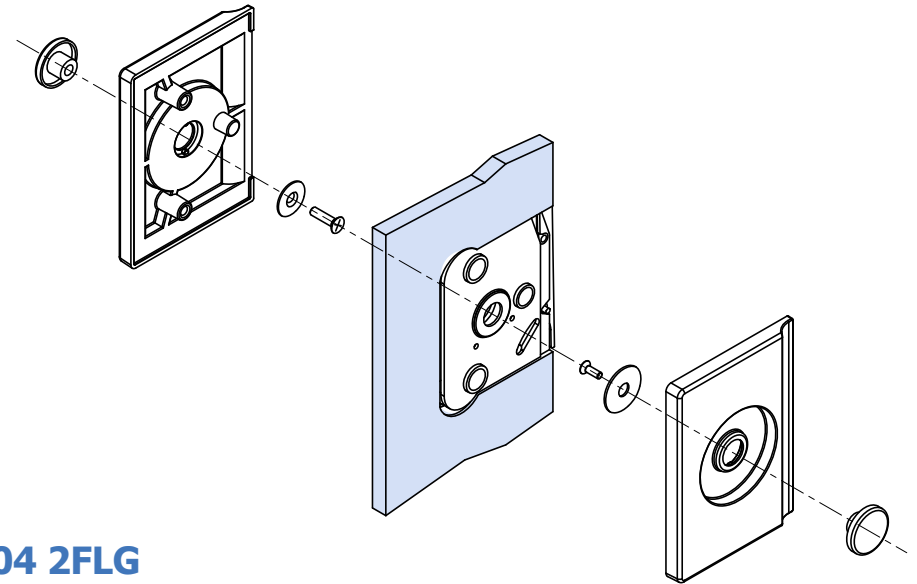
Vetro da 10 mm usare 2 spessori (inclusi)
Glass 10 mm, 2 spacers (included)
Glasdicke 10 mm mit 2 Distanzscheiben (inkl.)



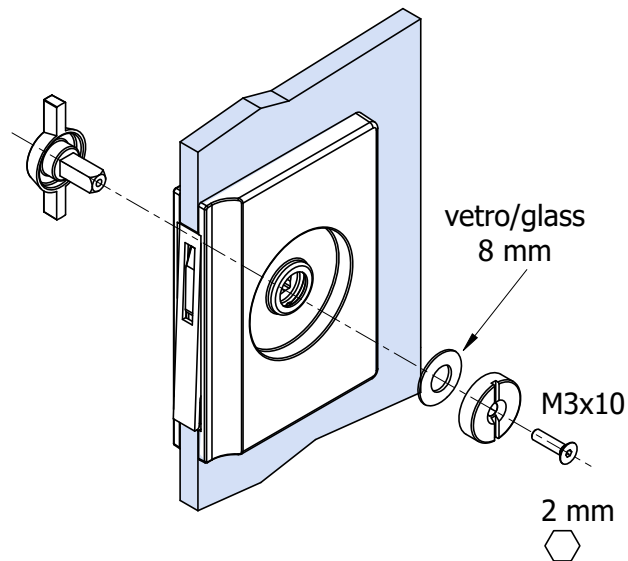
V-404



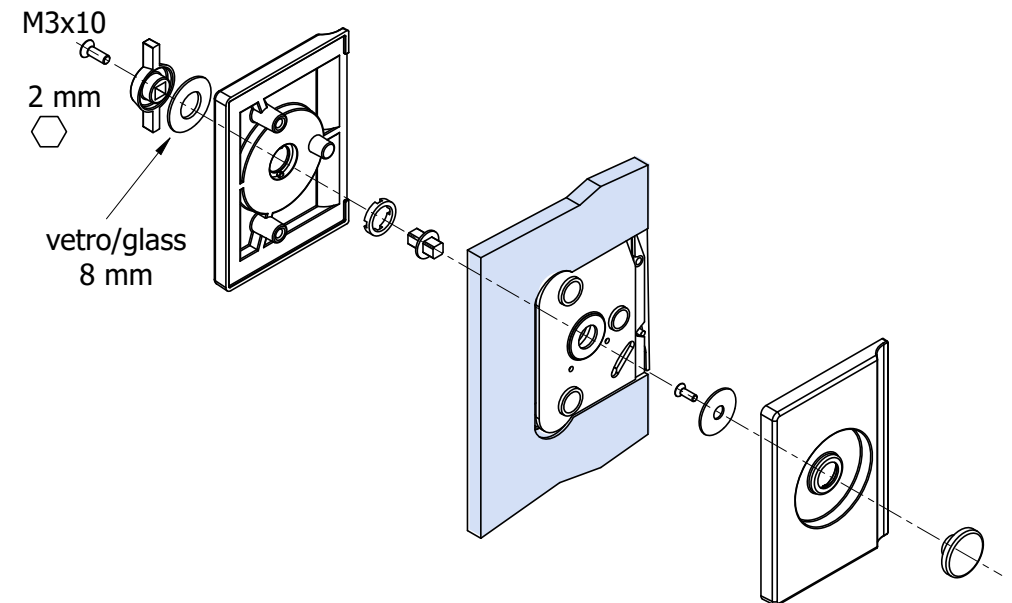
V-404 PO-PO



V-404 2FLG



V-404 PO-WC



V-404 PO-2FLG